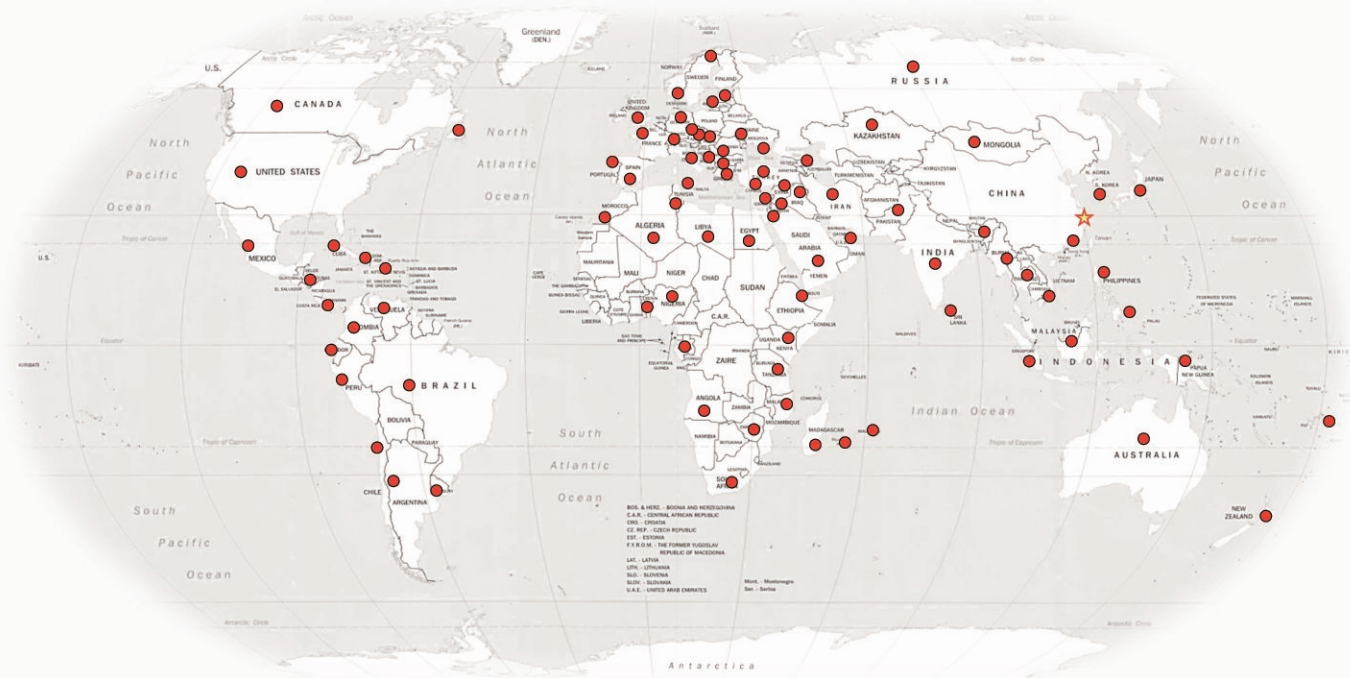


GLOBAL SALES NETWORK



R Series

1.0/1.5/1.8/2.0/2.5/3.0/3.5/
4.0/4.5/5.0t Gasoline/LPG



CE CERTIFICATE



ISO14001: 2004



ISO9001: 2008

HANGCHA GROUP CO., LTD.
(Zhejiang Hangcha Imp. & Exp. Co., Ltd.)

www.hcforlift.com

Add: 398 Shi Qiao Road, Hangzhou Zhejiang province, China (310022)
Factory site: No. 88, Donghuan Rd., Economic Development Zone Lin'an, Zhejiang, China (311305)
Tel: +86-571-88926755
Fax: +86-571-88926789 88132890
E-mail: sales@hcforlift.com

HANGCHA GROUP CO., LTD. Reserves the right to make any changes without notice concerning colors, equipment or specifications detailed in this brochure, or to discontinue individual models. The colors of trucks, delivered may differ slightly from those in brochures.

2014 VERSION 2/COPYRIGHT 2014/07

HANGCHA GROUP CO., LTD.

simple. Easy: **SERVICE**
simple, comprehensive: **PANEL**
strong, wide view: **MASTS**
so much footroom: **DRIVER ROOM**

INTRODUCTION

The new generation R series forklift is combined with durability and ergonomics, providing productivity unmatched by other forklifts and the comfort for hours of tireless operation. Add friendliness to the environment, simple servicing, efficiency on the job, high standards of safety---it's the perfect tool for the most demanding application.

EFFICIENCY

Thanks to the long wheelbase design, the longitudinal stability of whole truck is much better, the hoisting capacity at same lift height are enhanced by an average of 100kg compared with former truck. At the same time, it prolongs work time of rear wheel as the reduced rear axle's load.

The travel speed of truck has been raised, for example, the 2-2.5t type comes to 20km/h.

Increasing the hard proportion of hydraulic pipe, adopting right angle connector or straight through connector, that reduce the pressure loss of pipeline, and raise the lifting speed of mast, the speed is increased by an average of 10% compared with former truck.

Turning radius and width of right angle stacking aisle are decreased through reducing the dimensions of whole truck, that raise the efficiency of storehouse.



SERVICING

Easy opened engine cover and one-touch removal of the floorboard get you right to service operation, and reduces down-time.

The reasonable arrangement of fuse and installation of instrument, enable the replacing for fuse and maintenance for instrument more easy.

ENVIRONMENT FRIENDLY

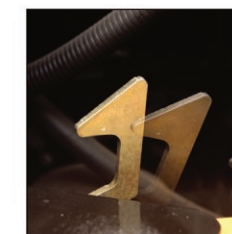
The environment friendly engines all meet related emission control regulation and GM engine meet Tier3 . The noise emission also comes up to EU standard.

The Metal hood and molding sound insulation matches environmental protection demands.

SAFE

A throttling device is set in pipe system, the mast won't result in failing control of mast even some pipes broke.

By using a built-in hood lock device, the safe level of the truck has been raised.



For more than 30 years, **HANGCHA GROUP CO., LTD.** Has played a leading role in the manufacture and production of Chinese forklift industry . We constantly strive to develop and incorporate the latest advances in forklift design and technology to ensure that our products provide an optimum level of performance, all the time. Our new generation R series of forklifts truly exemplifies this commitment to excellence.

- The clearance between the steering axle and support rod can be adjusted, to improve the adaptability for ground.
- The pin of the tilt cylinder adopts a build-in grease fitting, which enables the greas fitting more dependable.
- The high performance specific tires for forklift trucks increase the work life of tires much more.

durable: **HYDRAULICS**
 clean, reliable: **ENGINES**
 progressive: **BRAKES**
 cool, smooth: **TRANSMISSION**

APPEARANCE

The latest appearance design method was used to create the R series fluent and aesthetic outline, that matches the latest appearance trend.

The large engineering plastic covering enables the whole truck looks friendly and natural.

TRANSMISSION & ENGINE

The transmission can be chosen among OKAMURA, NISSAN and HC(made in china with the Japanese technique), with advanced structure and dependable function. Among them, the OKAMURA transmission adopts advanced float type structure, which can achieve a flexible connection between engine and frame, the vibrations of transmission to the frame is reduced. The engine can be chosen among the TD27、C240、4JG2、4TNV94L diesel engine and H20、H25 gasoline engine, with great power, economical fuel consumption and dependable functions.

OPERATION

Adopted advanced ergonomic technology optimizes the design of control system, improves the comfortable of operation much more.

Adopted advanced vibration-reduction technology designs each part's vibration reduction, reduces the whole truck vibration. Among them, the hood is designed to full floating type, and vibration reduction device for steering axle enables the operation more comfortable.



The torque converter models adopt electronic-hydraulic forward-reverse control technology, meaning less effort and less total time used during this often-performed function.

Adopted recently developed redirector decreases the steering wheel force to 6~8N only ,that reduce 50% compared with former truck.

The grease fittings and bushes added around the shaft of control mechanism decreases the force of pedal, that are reduced 30% compared with former truck.

COOLING SYSTEM

Newly adopted combined type aluminum radiator improves the radiator cooling performance greatly.

Advanced heat dissipation technology improves heat dissipation channel, that enhances the truck heat dissipation capability further, the water temperature is reduced 15% compared with former truck.

CYLINDER

Oil seal rings used for tilting cylinder, lifting cylinder and turning cylinder all adopt the first class international product, the sealing performance has been proven through ten of thousands fatigue test.

The soft landing system for lifting cylinder decreases the level of noise and shock when the mast lowered to termination phase.

BRAKES

The 1-5.0t forklifts all adopt the new type drum brake. waterproof slot on the brake drum and framework oil seal on the axle tube avoid water or oil entering the brake drum, enable the dependability of brake to raise consumedly.



OKAMURA 2-3t T / M is Floating Types, The only one in China. Floating types are designed to reduce the transmission of vibrations to the chassis in small and midsized (1 to 5 tons) forlift trucks, thereby reducing operator fatigue and improving riding comfort . Specially-shortened design is ideal for this floating-type installation.

Compact design offers same dimensions as conventional integrated models .

May be coupled to the differential axles. Making installation, removal, and maintenance easy.



Options

- 2.0-5.0m duplex mast
- 2.5-4.0m full free duplex mast
- 4.3-6.5m triplex mast
- Special carriage and backrest
- Other dimension forks
- Dual drive wheel with fender
- Solid tyre
- Non-marking(white、 green)
- Cabin
- Heater and air conditioner
- Fire extinguisher
- Semi-suspension seat or full-suspension seat
- Dual air cleaner or special air cleaner
- Rear working light
- Customer painting
- Auxilliary hydraulic valve modules
- High-mounted exhaust system
- Middle-mounted exhaust system
- Spark arrester
- 3-way catalytic muffler
- LPG swing-down bracket
- Radiator screen
- Sideshifter
- Integrated sideshifter
- Other attachment
- LPG fuel system(single□dual)



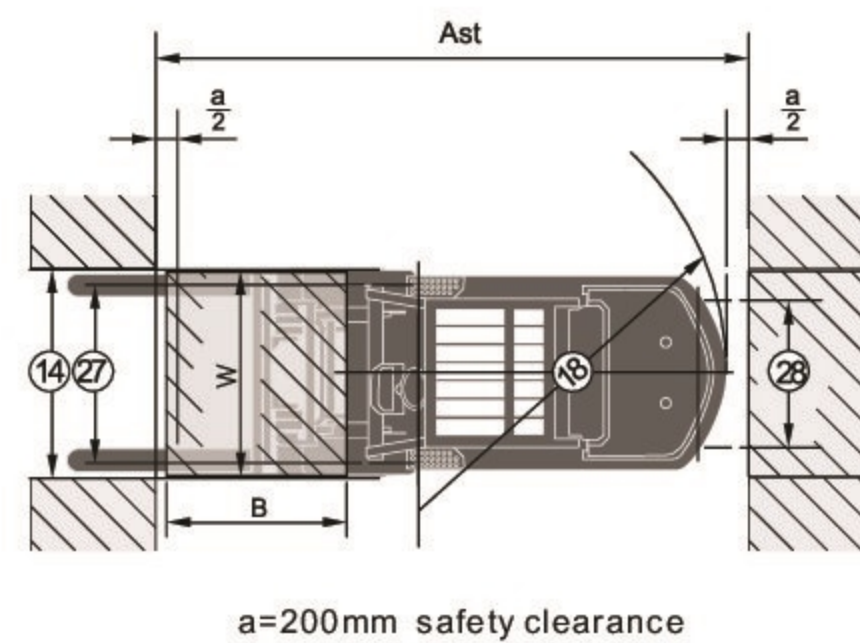
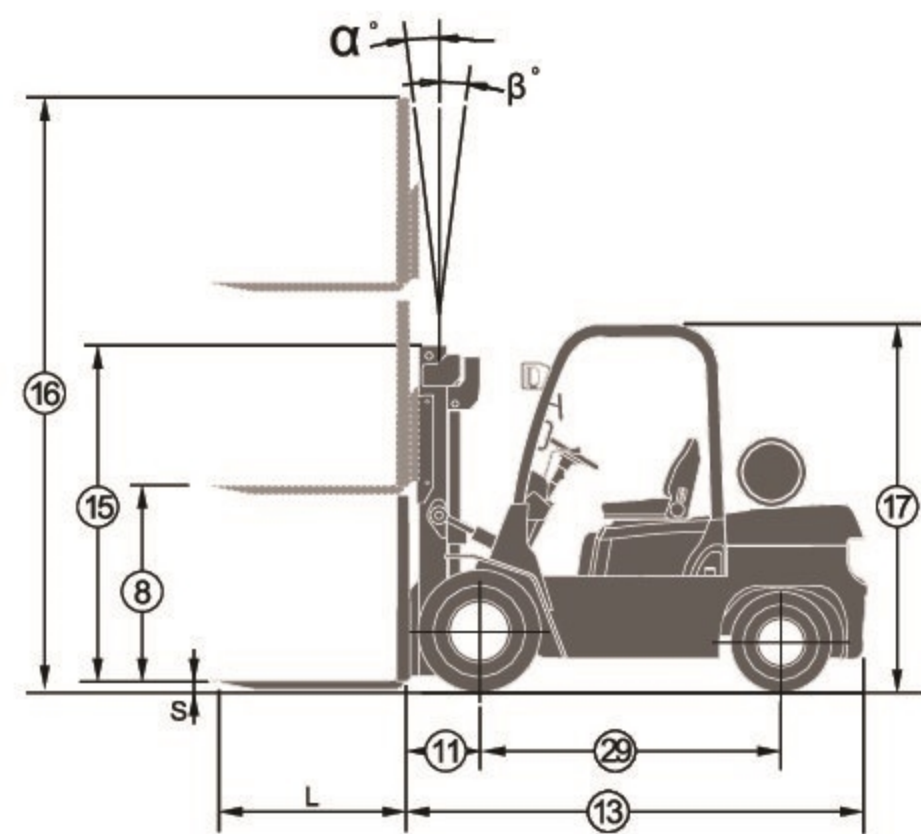
R series 1.0 / 1.5 / 1.8 / 2.0 t Gasoline / LPG forklift specification

		HANGCHA GROUP CO.,LTD.				HANGCHA GROUP CO.,LTD.				HANGCHA GROUP CO.,LTD.				HANGCHA GROUP CO.,LTD.																			
1 Manufacture		CPQD10N				R15L				R18L				R20L																			
2 Basic model		RW7				RW21				RW7-Y				RW21-Y				RW21															
3 Type		Gasoline				Gasoline/LPG				LPG				Gasoline / LPG																			
4 Power type		Gasoline				Gasoline/LPG				LPG				Gasoline / LPG																			
5 Rated capacity		kg				1500				1750				2000																			
6 Load center		mm				500				500				500																			
7 Lift height		mm				3000				3000				3000																			
8 Free lift height		mm				155				155				150																			
9 Fork size		LxWxT				920x100x35				920x100x35				920x100x35				1070x122x40															
10 Mast tilt range		F / R				6 / 12				6 / 12				6 / 12				6 / 12															
11 Fork overhang(Wheel center to fork face)		mm				405				405				405				475															
12 Rear overhang		mm				420				460				495				480															
13 Overall dimensions		Length to face of fork		mm				2225				2265				2300				2530													
		Overall width		mm				1080				1080				1080				1155													
		Mast lowered height		mm				1995				1995				1995				1985													
		Mast extended height		mm				3960				3960				3960				4045													
17 Overhead guard height		mm				2130(2190*)				2130(2190*)				2130(2190*)				2140(2200*)				2140(2200*)											
18 Turning radius(outside)		mm				1925				1970				2005				2175															
19 Min. right angle stacking aisle width (Add load length and clearance)		mm				2330				2375				2410				2650															
20 Speed		Travel (No load)		km/h				15				15				22.5																	
		Lifting (Full load)		mm/s				460				500				560																	
		Lowering (Full load)		mm/s				450				450				500																	
23 Max.Drawbar Pull (Full load)		N				23600				20500				23600				20500				19600											
24 Max.Gradeability (Full load)		%				20				20				20				20															
25 Tyres		Front		mm				6.50 -10 -10PR				6.50 -10 -10PR				6.50 -10 -10PR				7.00 -12 -12PR													
		Rear		mm				5.00 - 8 - 10PR				5.00 - 8 - 10PR				5.00 - 8 - 10PR				6.00 - 9 - 10PR													
27 Tread		Front		mm				890				890				890				965													
		Rear		mm				900				900				900				970.5													
29 Wheelbase		mm				1400				1400				1400				1650															
30 Ground clearance		Lowest		mm				115				115				115				105													
		Wheelbase center		mm				145				145				145				150													
32 Self weight		kg				2450				2740				2740				2880				2930											
33 Weight Distribution		Full load		Front / Rear				2940 / 510				3960/550				3690/550				4075 / 605				4815 / 625									
		No load		Front / Rear				1290 / 1160				1220 / 1520				1220 / 1520				1190 / 1740				1640 / 1800									
35 Battery		Voltage/Capacity(20HR)				12 / 60				12 / 60				12 / 60				12 / 60															
36 Model		491GP				K21				491GP				K21				491GP				K25											
37 Manufacture		WANFENG				GCT(NISSAN)				WANFENG				GCT(NISSAN)				WANFENG				GCT(NISSAN)											
38 Rated output / r/min		kW				41 / 2800				31.2 / 2250				41 / 2800				31.2 / 2250				29/2250				41 / 2800							
39 Rated torque / r/min		N.m				161 / 2000				143.7 / 1600				161 / 2000				143.7 / 1600				140/1600				161 / 2000							
40 No. of cylinder		4				4				4				4				4				4											
41 BorexStroke		mm				91x86				89x83				91x86				89x83				89x83				89x100							
42 Displacement		ml				2237				2065				2237				2065				2065				2237							
43 Fuel tank capacity		L				50				50				50/28				50				50/28				28							
44 Transmissions		Manufacture		CHINA				CHINA				CHINA				CHINA				CHINA													
		Type		Powershift				Powershift				Powershift				Powershift				Powershift													
45 Stage		FWD / RVS				1 / 1				1 / 1				1 / 1				1 / 1															
47 Operating pressure		For attachments				Mpa				14.5				14.5				17.5															

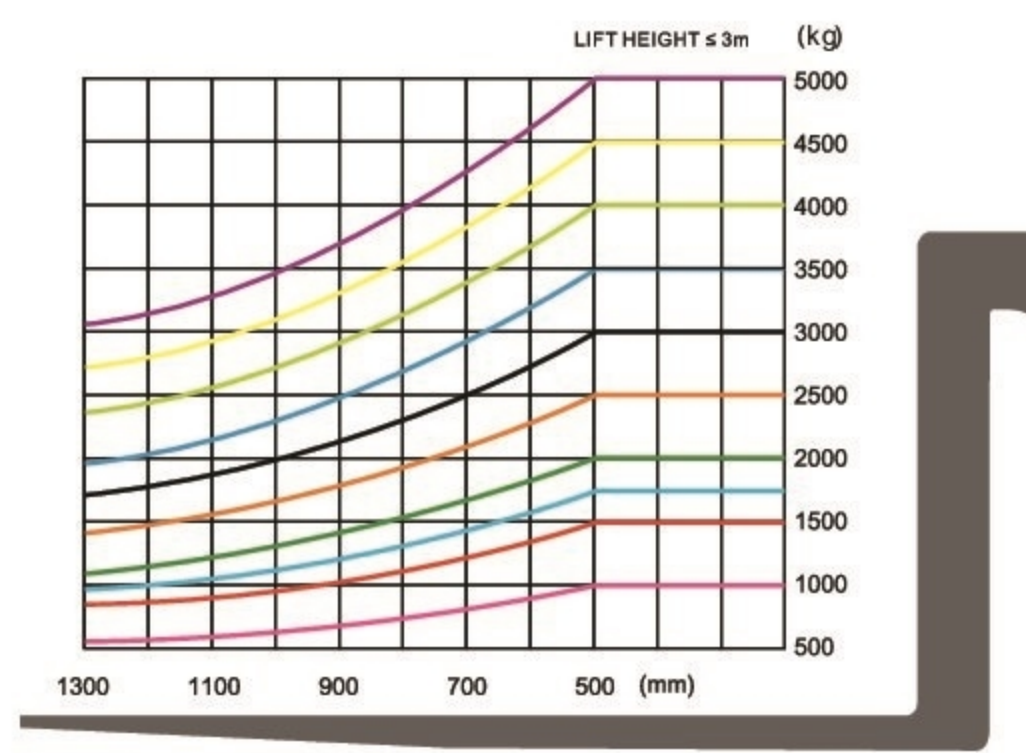
Note: * With suspension seat or cabin.

- Special lifting height available (2-stage mast: 2.5m, 2.7m, 3.0m, 3.3m, 3.6m, 4m, 4.5m. 3-stage mast: 4.3m, 4.5m, 4.8m, 5m, 5.5m, 6m) 2. Attachment available.
- The specifications in the table are for standard models only. For further information please contact us.
- Specifications are subject to change without notice.

DIMENSIONS



LOAD CHART



1.0 ~ 1.8t R series mast: (pneumatic)

Type	Model	Max. fork height	Overall height			Free lift		Front Overhang		Tilt range		Capacity					
			Lowered	Extended		Without backrest	With backrest	1/1.5t	1.75t	FWD	BWD	Load capacity at 500 mm					
				Without backrest	With backrest							Single tire			Double tire		
		mm	mm	mm	mm	mm	mm	mm	mm	(°)	(°)	1t	1.5t	1.75t	1t	1.5t	1.75t
Wide view mast	R15 / 18M200	2000	1495	2585	2955	155	155	405	408	6	12	1000	1500	1750	1000	1500	1750
	R15 / 18M250	2500	1745	3085	3455	155	155	405	408	6	12	1000	1500	1750	1000	1500	1750
	R15 / 18M270	2700	1845	3285	3655	155	155	405	408	6	12	1000	1500	1750	1000	1500	1750
	R15 / 18M300	3000	1995	3585	3955	155	155	405	408	6	12	1000	1500	1750	1000	1500	1750
	R15 / 18M330	3300	2145	3885	4255	155	155	405	408	6	12	1000	1500	1750	1000	1500	1750
	R15 / 18M350	3500	2245	4085	4455	155	155	405	408	6	12	1000	1500	1750	1000	1500	1750
	R15 / 18M360	3600	2345	4185	4555	155	155	405	408	6	12	1000	1500	1750	1000	1500	1750
Wide view full free 2-stage mast	R15 / 18M400	4000	2595	4585	4955	155	155	405	408	6	12	950	1400	1650	1000	1500	1750
	R15 / 18M430	4300	2745	4885	5255	155	155	405	408	6	6	900	1300	1550	950	1400	1650
	R15 / 18M450	4500	2845	5085	5455	155	155	405	408	6	6	850	1250	1450	900	1350	1550
	N15 / 18U250	2500	1760	3105	3455	1095	915	428	431	6	12	1000	1500	1750	1000	1500	1750
	N15 / 18U270	2700	1860	3305	3655	1195	915	428	431	6	12	1000	1500	1750	1000	1500	1750
	N15 / 18U300	3000	2010	3605	3955	1395	1055	428	431	6	12	1000	1500	1750	1000	1500	1750
	N15 / 18U330	3300	2160	3905	4255	1545	1215	428	431	6	12	1000	1500	1750	1000	1500	1750
Wide view full free 3-stage mast	N15 / 18U360	3600	2310	4205	4555	1695	1365	428	431	6	12	1000	1500	1750	1000	1500	1750
	N15 / 18U400	4000	2560	4605	4955	1865	1615	428	431	6	12	950	1400	1650	1000	1500	1750
	N15 / 18N430	4300	2710	5070	5255	1350	1165	445	448	6	6	850	1250	1450	900	1350	1550
	N15 / 18N450	4500	2810	5170	5465	1510	1375	445	448	6	6	800	1200	1350	850	1300	1450
	N15 / 18N480	4800	2960	5475	5755	1670	1435	445	448	6	6	750	1100	1250	800	1200	1350
	N15 / 18N500	5000	3060	5685	5955	1830	1495	445	448	6	6	700	1050	1150	750	1150	1250
Wide view full free 3-stage mast	N15 / 18N550	5500	3210	6095	6355	1990	1555	445	448	3	6	/	/	/	600	950	1050
	N15 / 18N600	6000	3360	6505	6655	2150	1615	445	448	3	6	/	/	/	450	750	850

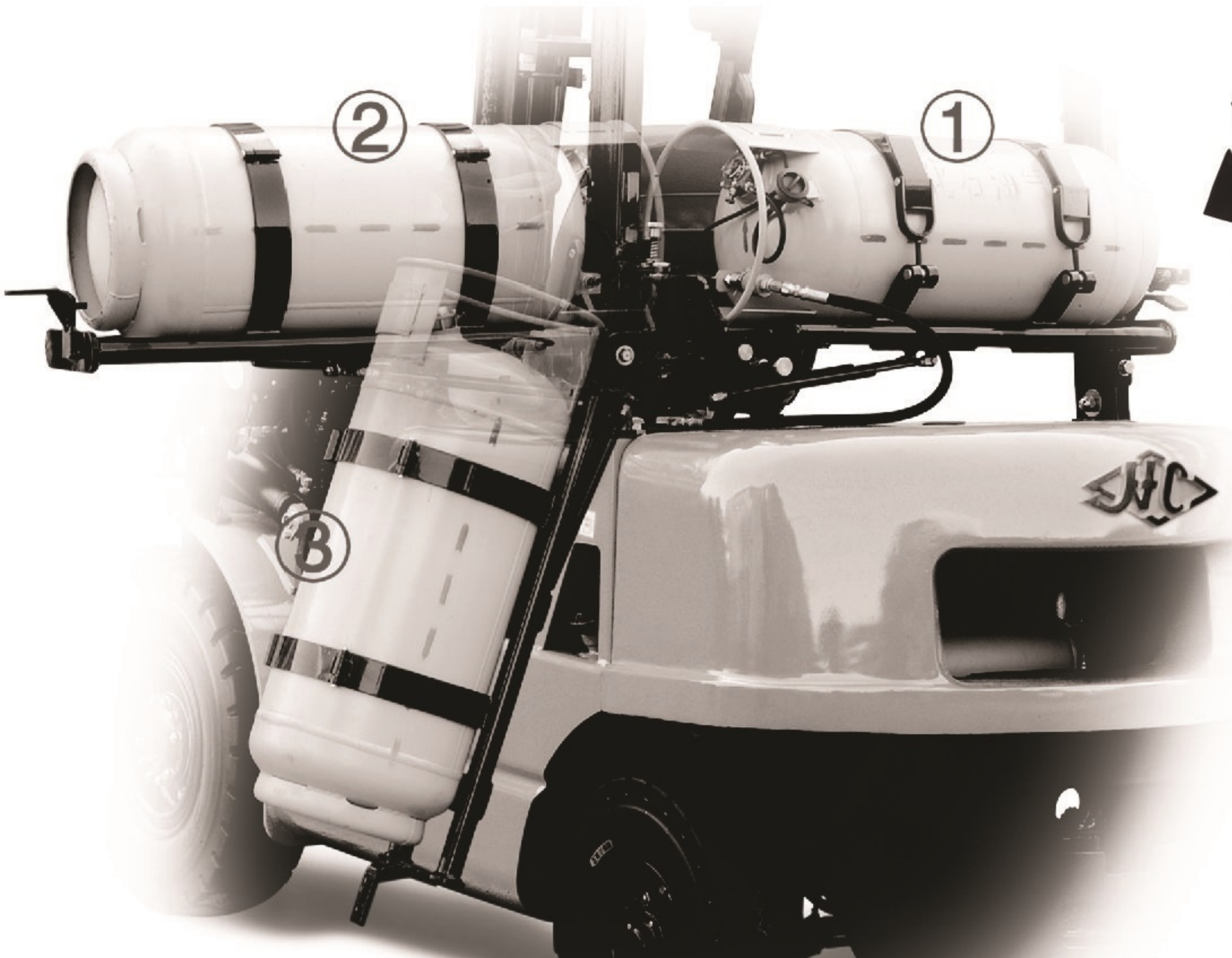
With sideshifter minus 150Kg, with integral sideshifter minus 100Kg.

R series 2.5 / 3.0 t Gasoline / LPG forklift specification

		HANGCHA GROUP CO.,LTD.												HANGCHA GROUP CO.,LTD.													
		R25L												R30L													
		RW7	RW22	RW22A	RW22B	RW20	RW7-Y	RW22-Y	RW22A-Y	RW22B-Y	RW21-Y	RW26-Y	RW52-Y	RW52B-Y	RW7	RW22	RW22A	RW22B	RW7-Y	RW22-Y	RW22A-Y	RW22B-Y	RW26-Y	RW52-Y	RW52B-Y		
General	1 Manufacture	HANGCHA GROUP CO.,LTD.																									
	2 Basic model	R25L																									
	3 Type	Gasoline												LPG													
	4 Power type	Gasoline												Gasoline / LPG													
	5 Rated capacity	kg	2500												2500												
	6 Load center	mm	500												500												
	7 Lift height	mm	3000												3000												
	8 Free lift height	mm	150												150												
	9 Fork size	LxWxT	1070x122x45												1070x122x40												
Characteristics & Dimensions	10 Mast tilt range	F / R	6 / 12												6 / 12												
	11 Fork overhang(Wheel center to fork face)	mm	470												470												
	12 Rear overhang	mm	480												480												
	13 Overall dimensions	Length to face of fork	mm	2605												2605											
		Overall width	mm	1150												1155											
		Mast lowered height	mm	1985												1985											
		Mast extended height	mm	4045												4045											
	17 Overhead guard height	mm	2140 (2200*)												2140 (2200*)												
	18 Turning radius(outside)	mm	2235												2235												
	19 Min. right angle stacking aisle width (Add load length and clearance)	mm	2710												2710												
Performance	20 Speed	Travel (No load)	km/h	22.5	21.5	19.5	21	23	22.5	21.5	19.5	21	23	20.5	21	20	21.5	19.5	20	20	21.5	19.5	20	19	19.5		
		Lifting (Full load)	mm/s	560												560											
		Lowering (Full load)	mm/s	500												500											
	23 Max.Drawbar Pull (Full load)	N	19600	16500	24100	17500	16500	19600	16500	24100	17500	16500	23000	16500	17500	19600	19000	24100	17800	21200	19000	24100	17800	24800	19000		
	24 Max.Gradeability (Full load)	%	20												20												
Chassis	25 Tyres	Front	mm	7.00-12-12PR												7.00-12-12PR											
		Rear	mm	6.00-9-10PR												6.00-9-10PR											
	27 Tread	Front	mm	965												965											
		Rear	mm	970.5												970.5											
29 Wheelbase	mm	1650												1650													
	30 Ground clearance	Lowest	mm	105												105											
		Wheelbase center	mm	150												150											
Weight	32 Self weight	kg	3765												3765												
	33 Weight	Full load	kg	5530 / 735												5530 / 735											
		Front / Rear	kg	1560 / 2205												1660 / 2205											
	34 Distribution	No load	kg	1560 / 2205												1660 / 2205											
Power & transmission	35 Battery	Voltage/Capacity(20HR)	12 / 60												12 / 60												
	36 Model		491GP	K25	K25	K25	K21	491GP	K25	K25	K25	K21	GM3.0L	K25(LPG)	491GP	K25	K25	K25	491GP	K25	K25	K25	GM3.0L	K25(LPG)			
	37 Engine	Manufacture	V/Ah	WANFENG	GCT(NISSAN)	GCT(NISSAN)	GCT(NISSAN)	GCT(NISSAN)	WANFENG	GCT(NISSAN)	GCT(NISSAN)	GCT(NISSAN)	GCT(NISSAN)	GM	GCT(NISSAN)	WANFENG	GCT(NISSAN)	GCT(NISSAN)	GCT(NISSAN)	WANFENG	GCT(NISSAN)	GCT(NISSAN)	GCT(NISSAN)	GM	GCT(NISSAN)		
		Rated output / r/min	kW	41 / 2800	37.4 / 2300	37.4 / 2300	37.4 / 2300	31.2 / 2250	41 / 2800	37.4 / 2300	37.4 / 2300	37.4 / 2300	31.2 / 2250	50 / 2500	35/2400	41 / 2800	37.4 / 2300	37.4 / 2300	37.4 / 2300	41 / 2800	37.4 / 2300	37.4 / 2300	37.4 / 2300	50/2500	35/2400		
		Rated torque / r/min	N-m	161 / 2000	176.5 / 1600	176.5 / 1600	176.5 / 1600	143.7 / 1600	161 / 2000	176.5 / 1600	176.5 / 1600	176.5 / 1600	143.7 / 1600	189 / 1600	170/1600	161 / 2000	176.5 / 1600	176.5 / 1600	176.5 / 1600	161 / 2000	176.5 / 1600	176.5 / 1600	176.5 / 1600	189/1600	170/1600		
	40 Engine	No. of cylinder		4												4											
		BorexStroke	mm	89x100												89x100											
	41 Displacement	ml	2237	2488	2488	2488	2065	2237	2488	2488	2488	2065	3000	2488	2237	2488	2488	2488	2237	2488	2488	2488	3000	2488			
	42 Fuel tank capacity	L	60	60	60	60	60	60/40	60/40	60/40	60/40	60/40	60/40	40	40	70	70	70	70	70	70	70	70	70	40	40	
	44 Transmissions	Manufacture		CHINA	CHINA	NISSAN	OKAMURA	CHINA	CHINA	CHINA	NISSAN	OKAMURA	CHINA	CHINA	CHINA	OKAMURA	CHINA	CHINA	NISSAN	OKAMURA	CHINA	CHINA	NISSAN	OKAMURA	CHINA	CHINA	OKAMURA
		Type		Powershift												Powershift											
	45 Transmissions	Stage		1 / 1												1 / 1											
		FWD / RVS		1 / 1												1 / 1											
47 Operating pressure	For attachments	Mpa	17.5												17.5												

Note: * With suspension seat or cabin.

- Special lifting height available (2-stage mast: 2.5m, 2.7m, 3.0m, 3.3m, 3.6m, 4m, 4.5m. 3-stage mast: 4.3m, 4.5m, 4.8m, 5m, 5.5m, 6m)
- Attachment available.
- The specifications in the table are for standard models only. For further information please contact us.
- Specifications are subject to change without notice.



WANFENG 491GP
 Displacement: 2237 cc
 Rated output: 41 kW/2800rpm
 Rated torque: 161 N-m/2000rpm

NISSAN K25

Displacement: 2488 cc
 Rated output: 37.4 kW/2300rpm
 Rated torque: 176.5 N-m/1600rpm



2.0 / 2.5t R series mast: (pneumatic)

Type	Model	Max. fork height	Overall height				Free lift		Front Overhang	Tilt range		Capacity			
			Lowered	Extended		Without backrest	With backrest	FWD		BWD	Load capacity at 500 mm				
				Without backrest	With backrest						Single tire		Double tire		
Wide view mast	R25M250	2500	1735	3125	3545	150	150	475	6	12	2000	2500	2000	2500	
	R25M270	2700	1835	3325	3745	150	150	475	6	12	2000	2500	2000	2500	
	R25M300	3000	1985	3625	4045	150	150	475	6	12	2000	2500	2000	2500	
	R25M330	3300	2135	3925	4345	150	150	475	6	12	2000	2500	2000	2500	
	R25M350	3500	2235	4125	4545	150	150	475	6	12	2000	2500	2000	2500	
	R25M360	3600	2335	4225	4645	150	150	475	6	12	2000	2500	2000	2500	
	R25M400	4000	2585	4625	5045	150	150	475	6	12	1900	2300	2000	2500	
	R25M430	4300	2735	4925	5345	150	150	475	6	6	1800	2100	1950	2450	
	R25M450	4500	2835	5125	5545	150	150	475	6	6	1700	2000	1900	2400	
Wide view full free 2-stage mast	R25M480	4800	2985	5425	5845	150	150	475	6	6	1500	1700	1700	2100	
	R25M500	5000	3085	5625	6045	150	150	475	6	6	1400	1600	1600	2000	
	N25U250	2500	1795	3152	3545	1143	750	470	6	12	2000	2500	2000	2500	
	N25U270	2700	1895	3352	3745	1243	850	470	6	12	2000	2500	2000	2500	
	N25U300	3000	1995	3652	4045	1343	950	470	6	12	2000	2500	2000	2500	
	N25U330	3300	2145	3952	4345	1493	1100	470	6	12	2000	2500	2000	2500	
Wide view full free 3-stage mast	N25U360	3600	2295	4252	4645	1643	1250	470	6	12	2000	2500	2000	2500	
	N25U400	4000	2545	4652	5045	1893	1500	470	6	12	1900	2300	2000	2500	
	N25N430	4300	2040	4992	5355	1358	995	485	6	6	1700	2000	1900	2400	
	N25N450	4500	2110	5242	5605	1428	1065	485	6	6	1600	1900	1800	2300	
	N25N480	4800	2210	5492	5855	1528	1165	485	6	6	1500	1700	1700	2100	
N25N500	5000	2275	5692	6055	1593	1230	485	6	6	1400	1600	1600	2000		
N25N550	5500	2440	6192	6555	1758	1395	485	3	6	1050	1200	1500	1800		
N25N600	6000	2655	6692	7055	1973	1610	485	3	6	700	800	1400	1600		

With sideshifter minus 150Kg, with integral sideshifter minus 100Kg.

